



HPC IKON 200 EXTREME 127V/60Hz W/NEMA PLUG-HOSE REEL LAVOR (MEXICO-NOM)

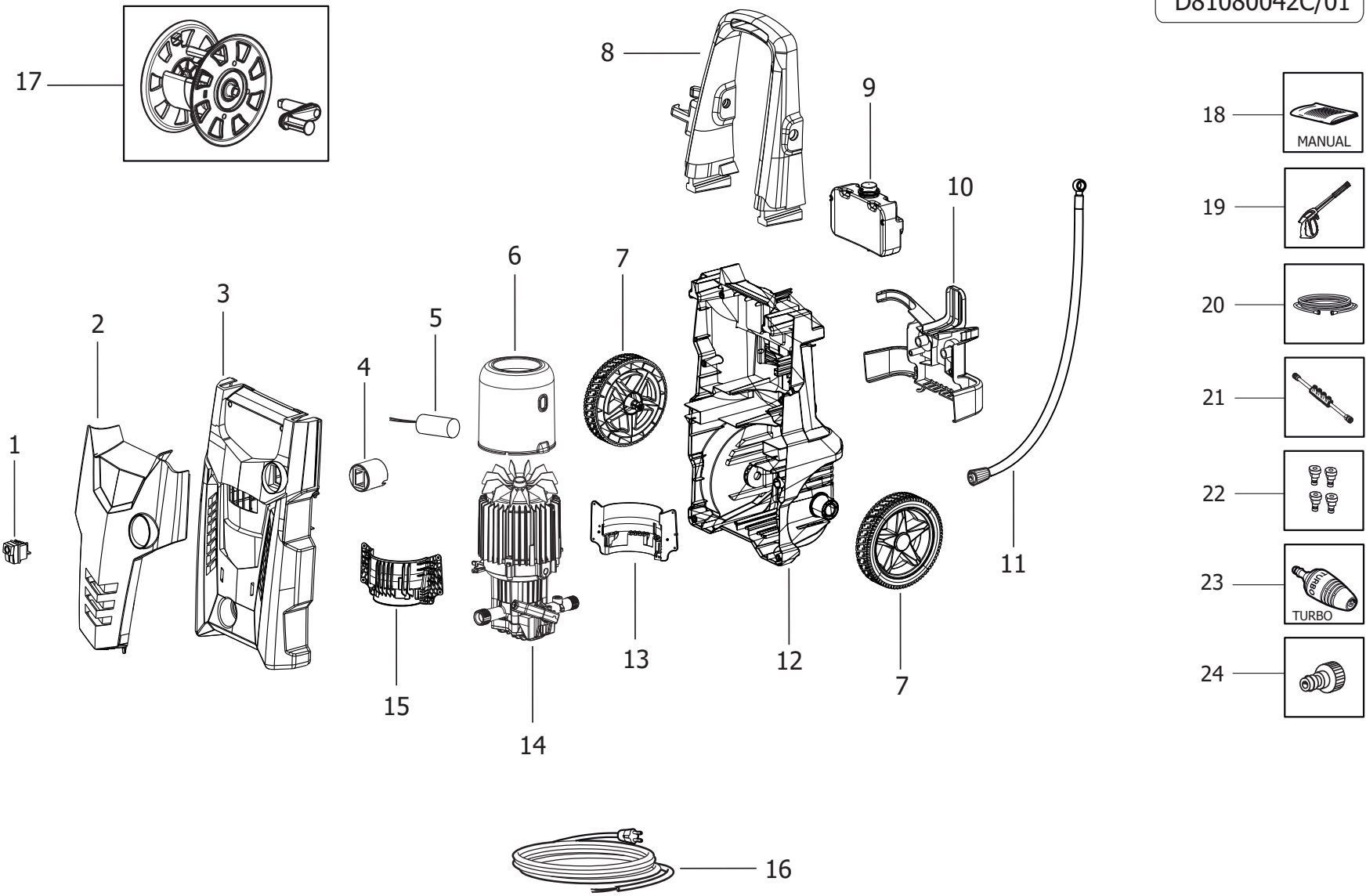
Content filters: validity 10/01/2022

10/01/2022

8.108.0042C - HPC IKON 200 EXTREME 127V/60Hz W/NEMA PLUG-HOSE REEL LAVOR (MEXICO-NOM).....	3
R81080042C - IDRO IKON 200 EXTREME 127/60 -G- TS SP.NEMA C/AVV.PRO LAVOR(MESSICO-NOM).....	4
R50010885C - MOTOP.PT'03 110h100ALL 120/60 D.12 5GR65 TS M.18KG IN.1,7 *UL*.....	6
R50091063C - ASS.MOT.09 D110H100ALL 120/60 *UL* 2P PT03 +PIATT.SFERE 5GR49.....	8
R50091064C - GRUPPO C.GUIDA C/TS 18KG-ASP. +TEST.TAPPI FIL. PT'03-TPAV.....	10
R50070291C - CORPO GUIDA PT'03 P.D.12 C/TS-18KG-ASP.-VALV.COMP.....	12
R50080298C - TESTATA PT'03 (TPAV) D.12 C/TAPPI FIL.ALL.....	14
R50110274 - ASS.SERBATOIO SPACE +TAPPO.....	16
Components index.....	18

Pos.	Code	Description
.	R81080042C	IDRO IKON 200 EXTREME 127/60 -G- TS SP.NEMA C/AVV.PRO LAVOR(MESSICO-NOM)

D81080042C/01



HPC IKON 200 EXTREME 127V/60Hz W/NEMA PLUG-HOSE REEL LAVOR (MEXICO-NOM) - Content filters: validity 10/01/2022

R81080042C - IDRO IKON 200 EXTREME 127/60 -G- TS SP.NEMA C/AVV.PRO LAVOR(MESSICO-NOM)

Validity: from 14/11/2018 to 31/12/9999

10/01/2022

Page 4 / 18

Pos.	Code	Substituted by	Q.ty	Purchasable	Min. Q.ty	For mainten.	Description
.	R50010885C		1	No			MOTOP.PT'03 110h100ALL 120/60 D.12 5GR65 TS M.18KG IN.1,7 *UL*
.	R50110274		1	No			ASS.SERBATOIO SPACE +TAPPO
001	3.401.0178		1	Yes	1	EXT	SWITCH 0/1 BLACK BOTTON IP55 12/10
002	4.008.1814		1	Yes	1		YELLOW FRONT COVER IKON W/TAMP.-LAVOR- (PANT.108C)
003	4.013.0764		1	Yes	1		BLACK FRONT CABINET FOR IKON
004	4.008.1817		1	Yes	1		SWITCH BOX COVER FOR IKON
005	3.404.0099		1	No			CAPACITOR 80mF 250V P2 *UL* D.42x92 F/M
006	4.008.1268		1	Yes	1		AIR CONVEYOR FOR MOTOR 110H80 (D.142)
007	4.008.1773		2	Yes	1		GREY WHEEL WITH BLACK COAT SPACE
008	4.008.2024		1	Yes	1		GREY HANDLE IKON FOR HOSE REEL (RAL.7046)
009	5.011.0274		1	Yes	1		TANK + CAP (SPACE)
010	4.008.2025		1	Yes	1		GREY BACK ACCESSORY HOLDER SPACE (RAL.7046)
011	4.018.0134		1	Yes	1	EXT	1/4 HOSE 225BAR L=680 FOR CONNECTION HOSE REEL/MOTORPUMP
012	4.013.0763		1	Yes	1		BLACK BACK CABINET FOR IKON
013	4.008.1816		1	Yes	1		BLACK LEFT MOTOR FIX COVER IKON
014	5.001.0885C		1	Yes	1	EXT	MOTOR PUMP PT'03 110h100AL 120/60 D.12 5A°65 TS 18KG IN.1,7 *UL*
015	4.008.1815		1	Yes	1		BLACK RIGHT MOTOR FIX COVER IKON
016	4.012.0364C		1	No			CABLE AWG 3X14 MT.5,4 NEMA A5-15 PLUG
017	6.005.0622		1	Yes	1		HOSE REEL KIT FOR IKON
018	7.100.2469		1	No			MANUALE SPECIFICO IKON +CE LAVOR 28L A5 24F
019	6.001.0116		1	Yes	1	EXT	GUN LWS 2200PSI BLACK W/RED HOOK M22/14-M22/14
020	4.018.0138		1	Yes	1	EXT	HOSE 1/4 225BAR L=8000 INTEGRAL COUPLING-M22 FOR HOSE REEL'10
021	6.002.0322		1	Yes	1	EXT	METAL LANCE NOZZLE HOLDER QUICK COUPLING-M22
022	5.012.0585		1	Yes	1		KIT 4 NOZZLES D.0,7 FOR QUICK JOINT GR.0-15-40-FOAM
023	3.714.0019		1	Yes	1		ROTATING NOZZLE D.1.00 FOR QUICK CONNECTION
024	3.100.0082C		1	Yes	1		BLACK QUICK COUPLING INLET CONNECTOR (THREAD=9.5)

HPC IKON 200 EXTREME 127V/60Hz W/NEMA PLUG-HOSE REEL LAVOR (MEXICO-NOM) - Content filters: validity 10/01/2022

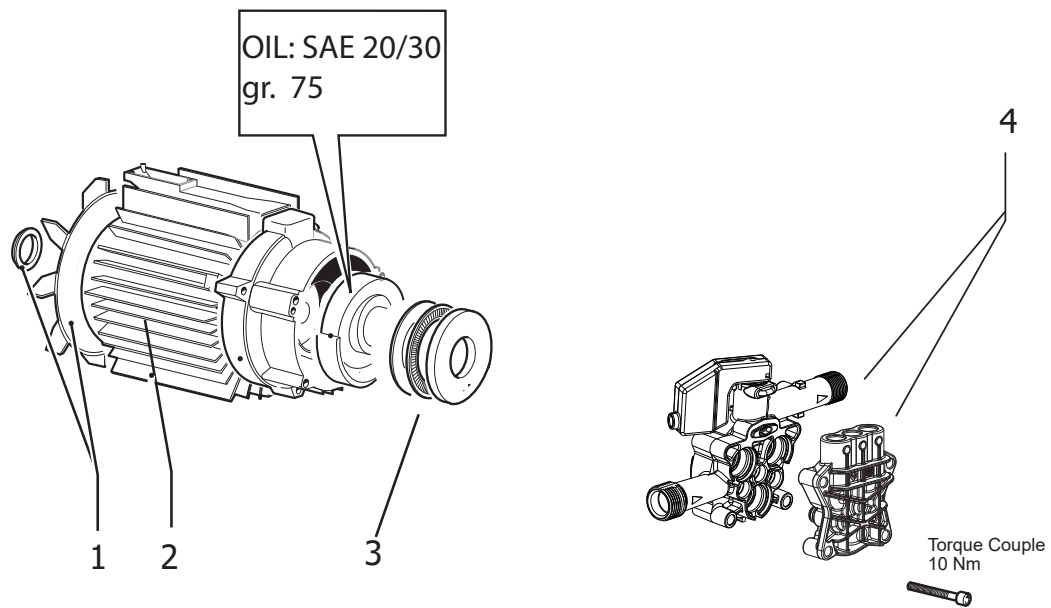


R81080042C - IDRO IKON 200 EXTREME 127/60 -G- TS SP.NEMA C/AVV.PRO LAVOR(MESSICO-NOM)

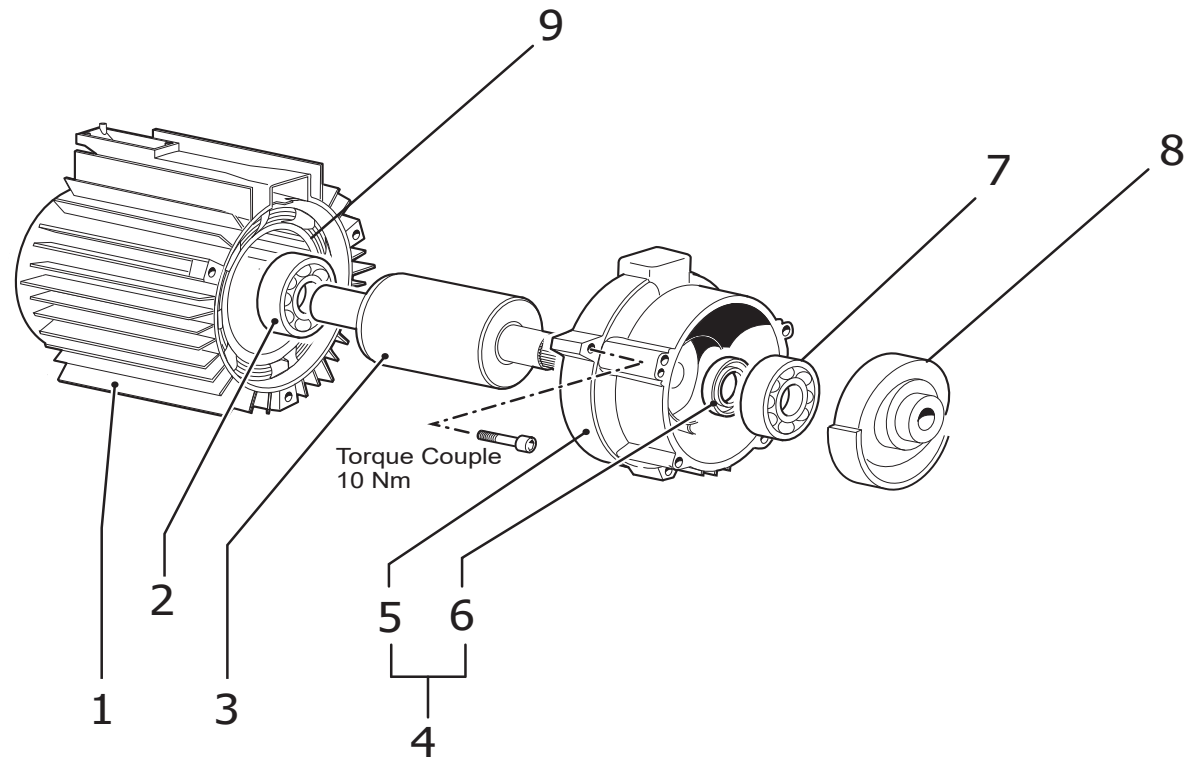
Validity: from 14/11/2018 to 31/12/9999

10/01/2022

Page 5 / 18

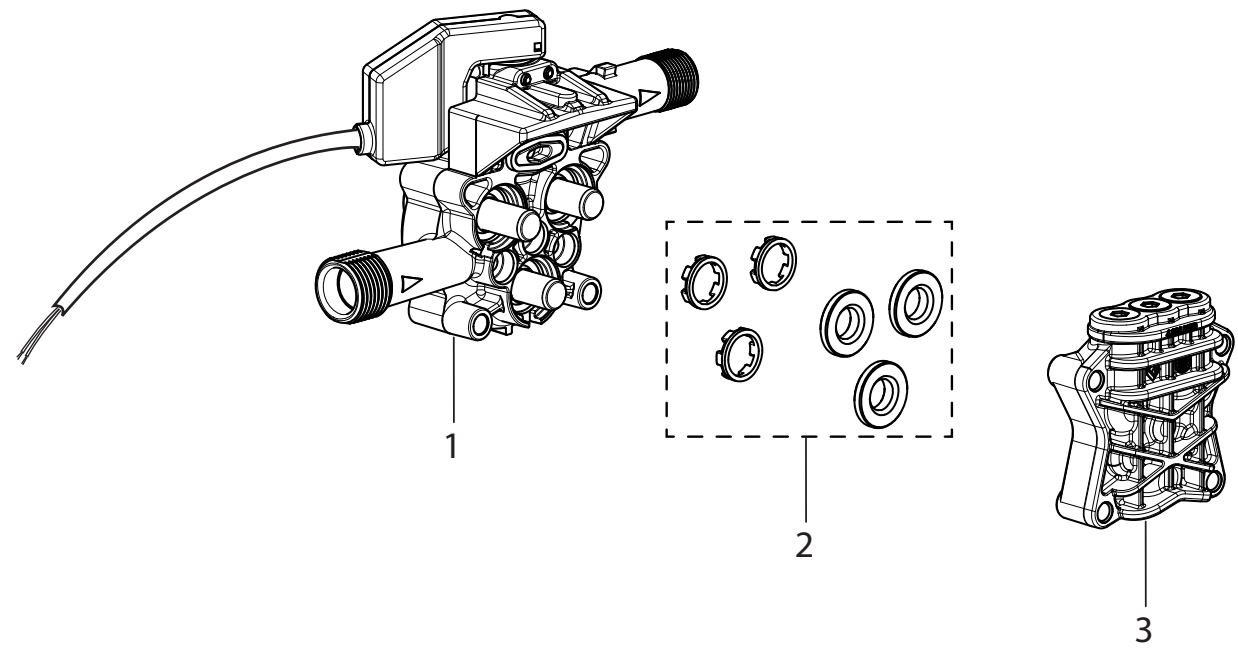


Pos.	Code	Substituted by	Q.ty	Purchasable	Min. Q.ty	For mainten.	Description
.	R50091063C		1	No			ASS.MOT.09 D110H100ALL 120/60 *UL* 2P PT03 +PIATT.SFERE 5GR49
.	R50091064C		1	No			GRUPPO C.GUIDA C/TS 18KG-ASP. +TEST.TAPPI FIL. PT'03-TPAV
001	6.005.0387		1	Yes	1		KIT 353 LW FAN + RING
002	5.009.1063C		1	Yes	1	EXT	MOTOR ASSEMBLY 09 D110H100AL 120/60 *UL* + 5Â°65 WOBBLE PLATE
003	4.007.0328		1	Yes	1	EXT	THRUST BEARING 35X55X12 PT'03
004	5.009.1064C		1	Yes	1	EXT	BODY GUIDE+HEAD ASSEMBLED TS W/SUCTION-TPAV HEAD (18KG) PT'03



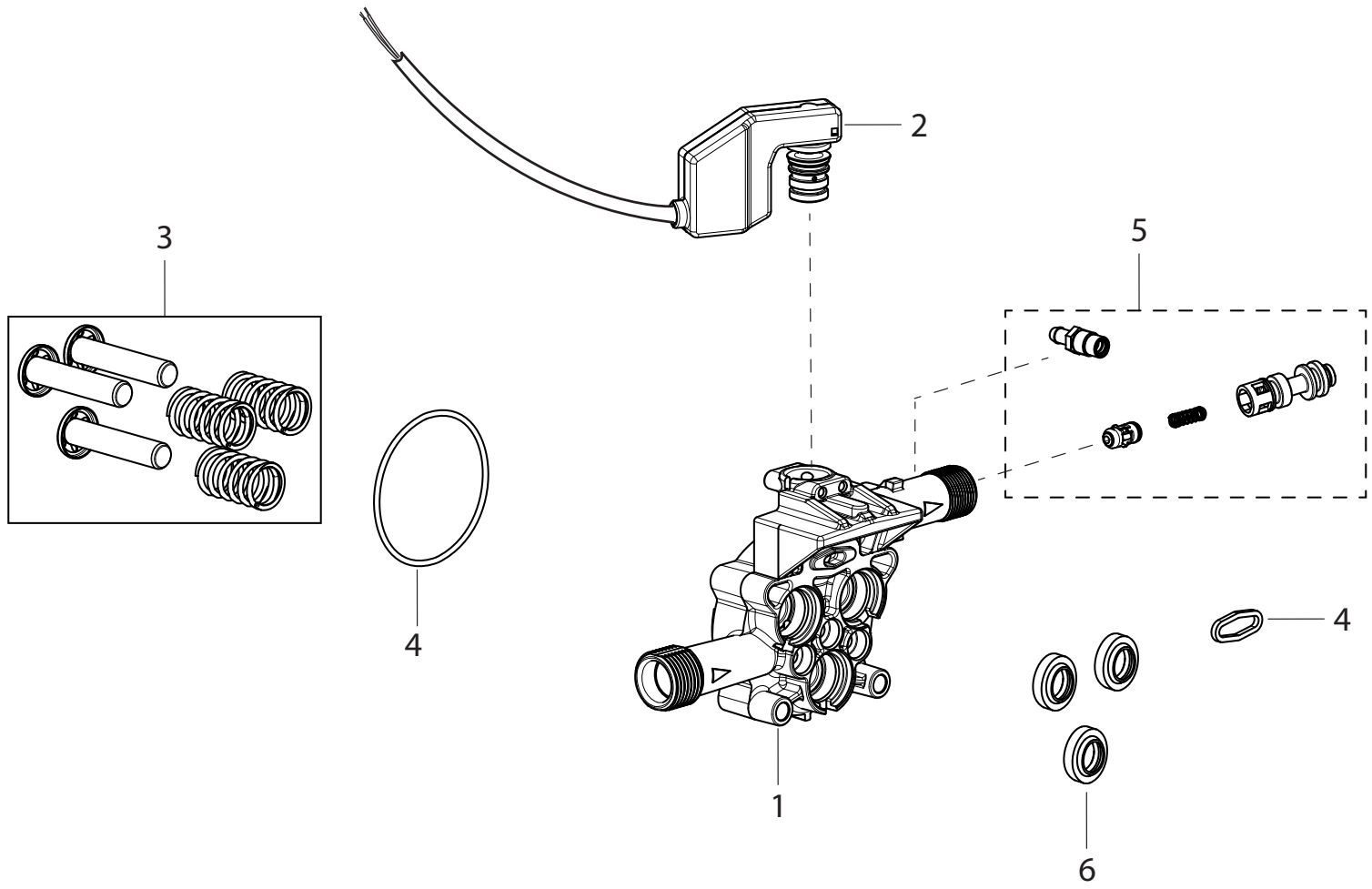
Pos.	Code	Substituted by	Q.ty	Purchasable	Min. Q.ty	For mainten.	Description
001	4.005.0352C		1	Yes	1		CASING'10 110 H100
002	3.001.0107		1	No			BALL BEARING 6202 2RS (17x35x10)
003	5.005.0071C		1	No			ROTOR FOR 110H100AL
005	4.005.0353C		1	Yes	1		MOTOR FLANGE D.110-'10 PT'03 WITHOUT THREAD
006	3.201.0081		1	No			OIL SEALING RING D. 20X35X7
007	3.001.0030		1	Yes	1		RADIAL
008	4.005.0357		1	No			WOBBLE PLATE 5'49
009	5.003.0121C		1	No			STATOR FOR 110H100AL 120/60 *UL*

D50091064C/01

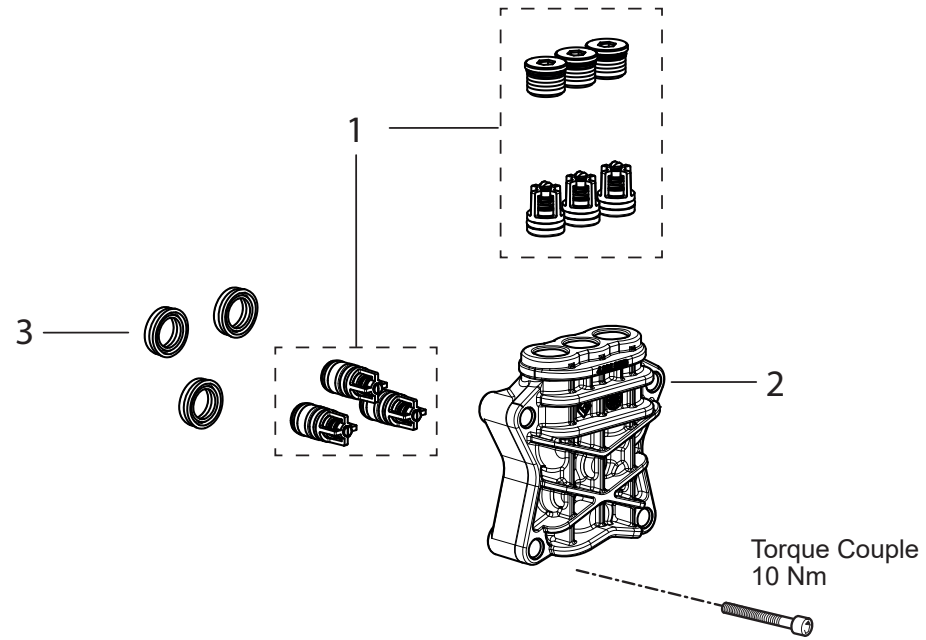


Pos.	Code	Substituted by	Q.ty	Purchasable	Min. Q.ty	For mainten.	Description
.	R50070291C		1	No			CORPO GUIDA PT'03 P.D.12 C/TS-18KG-ASP.-VALV.COMP.
.	R50080298C		1	No			TESTATA PT'03 (TPAV) D.12 C/TAPPI FIL.ALL.
001	5.007.0291C		1	Yes	1		PISTON BODY GUIDE PT'03 W/TS-COMP.VALVE-SPRING 18KG-SUCTION -C-
002	6.005.0282		1	Yes	1		KIT 257 O-RING SEAL
003	5.008.0298C		1	Yes	1		PT'03 HEAD (TPAV) D.12 W/ALUM.THREAD CAPS

D50070291C/01

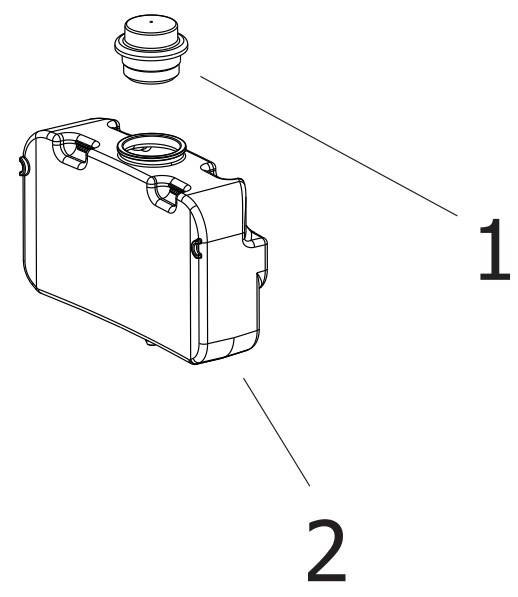


Pos.	Code	Substituted by	Q.ty	Purchasable	Min. Q.ty	For mainten.	Description
001	4.005.0263C	4.005.0263	1	Yes	1		PISTON BODY GUIDE PT'03 WITH SUCTION VALVE
002	5.009.1065C		1	Yes	1		COMPLETED VALVE TS PT'03 CABLE L=530 SPRING 18KG (WHITE FASTON COVER)
003	6.005.0181		1	Yes	1	EXT	KIT 167 LW PISTON
004	6.005.0226		1	Yes	1	ORD	KIT 209 O-RING
005	6.005.0277		1	Yes	1	EXT	KIT 252
006	6.005.0079		1	Yes	1	ORD	KIT 79 LW OIL SEALS



Pos.	Code	Substituted by	Q.ty	Purchasable	Min. Q.ty	For mainten.	Description
001	6.005.0595		1	Yes	1		KIT HEAD VALVE KIT +CAPS PT'03
002	4.005.0302		1	Yes	1		PT'03 HEAD WITH THREAD FOR VALVE CAPS (TPAV)
003	6.005.0133		1	Yes	1	ORD	KIT 124 O-RING WATER SEAL PARTNER D.12

D50110008/01



Pos.	Code	Substituted by	Q.ty	Purchasable	Min. Q.ty	For mainten.	Description
001	4.008.1521		1	Yes	1		BLACK PLUG FOR TANK -RAL.9011- (80007138)
002	4.008.1776		1	Yes	1		NEUTRAL TANK SPACE

Code	Parts Table	Pos.	Q.ty
3.001.0030	R50091063C	007	1
3.001.0107	R50091063C	002	1
3.100.0082C	R81080042C	024	1
3.201.0081	R50091063C	006	1
3.401.0178	R81080042C	001	1
3.404.0099	R81080042C	005	1
3.714.0019	R81080042C	023	1
4.005.0263C	R50070291C	001	1
4.005.0302	R50080298C	002	1
4.005.0352C	R50091063C	001	1
4.005.0353C	R50091063C	005	1
4.005.0357	R50091063C	008	1
4.007.0328	R50010885C	003	1
4.008.1268	R81080042C	006	1
4.008.1521	R50110274	001	1
4.008.1773	R81080042C	007	2
4.008.1776	R50110274	002	1
4.008.1814	R81080042C	002	1
4.008.1815	R81080042C	015	1
4.008.1816	R81080042C	013	1
4.008.1817	R81080042C	004	1
4.008.2024	R81080042C	008	1
4.008.2025	R81080042C	010	1
4.012.0364C	R81080042C	016	1
4.013.0763	R81080042C	012	1
4.013.0764	R81080042C	003	1
4.018.0134	R81080042C	011	1
4.018.0138	R81080042C	020	1
5.001.0885C	R81080042C	014	1
5.003.0121C	R50091063C	009	1
5.005.0071C	R50091063C	003	1

Code	Parts Table	Pos.	Q.ty
5.007.0291C	R50091064C	001	1
5.008.0298C	R50091064C	003	1
5.009.1063C	R50010885C	002	1
5.009.1064C	R50010885C	004	1
5.009.1065C	R50070291C	002	1
5.011.0274	R81080042C	009	1
5.012.0585	R81080042C	022	1
6.001.0116	R81080042C	019	1
6.002.0322	R81080042C	021	1
6.005.0079	R50070291C	006	1
6.005.0133	R50080298C	003	1
6.005.0181	R50070291C	003	1
6.005.0226	R50070291C	004	1
6.005.0277	R50070291C	005	1
6.005.0282	R50091064C	002	1
6.005.0387	R50010885C	001	1
6.005.0595	R50080298C	001	1
6.005.0622	R81080042C	017	1
7.100.2469	R81080042C	018	1