



MARSHALL 2300 (5HP) LWS

Content filters: validity 26/03/2018

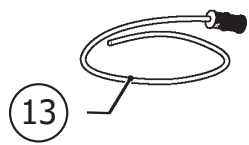
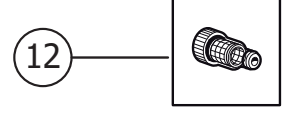
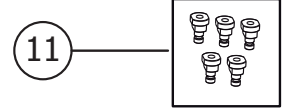
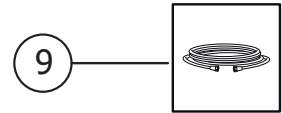
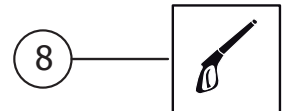
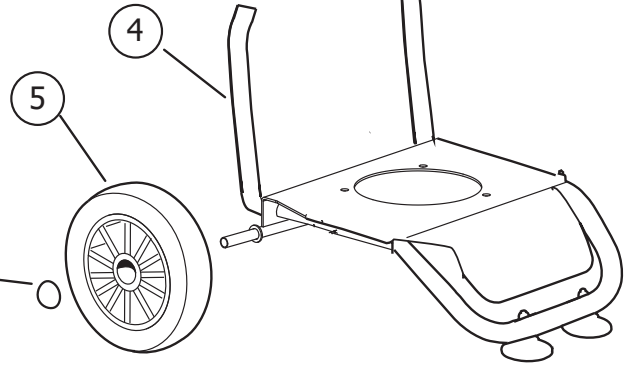
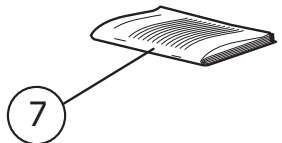
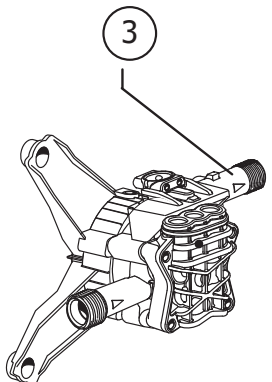
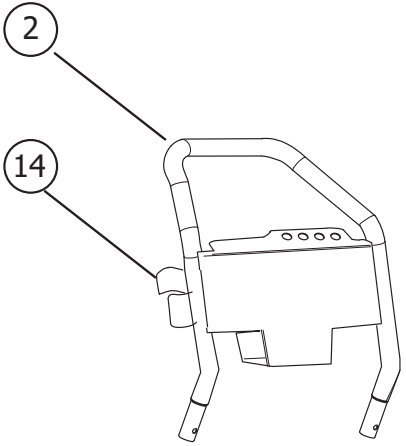
26/03/2018

8.601.0178C - MARSHALL 2300 (5HP) LWS.....	3
R86010178C - IDRO MARSHALL 2300 EU -G- LWS (5HP).....	4
R50990113 - GRUPPO POMPA TPAV 10Â°30 PT'03 C/INIET. (MOLLA 21KG).....	6
R50090642 - FLANGIA ACCOP.DIRETTO THERMIC PT'03 VERT.COMPLETA (TPAV).....	8
R50090847 - GRUPPO CORPO GUIDA C/V.TERM.C/ASP.OTT.+TESTATA PT'03-M.21KG.....	10
R50080256 - TESTATA PT'03 D.12 C/TAPPI FIL.(TPAV - TAPPI OTT.).....	12

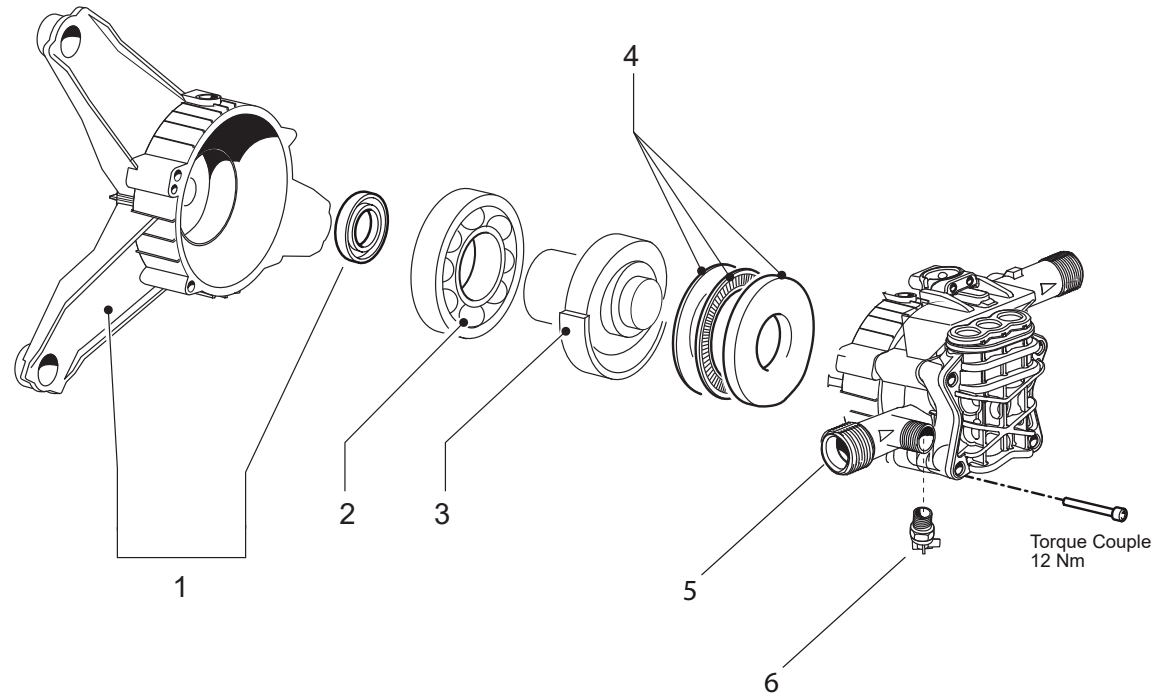
Pos.	Code	Description
0	R86010178C	IDRO MARSHALL 2300 EU -G- LWS (5HP)

OIL:
SAE 15 W40

LAVOR^{PRO} D86010001/01



Pos.	Code	Substituted by	Q.ty	Purchasable	Min. Q.ty	For mainten.	Description
0	R50990113		1	No			GRUPPO POMPA TPAV 10Â°30 PT'03 C/INIET. (MOLLA 21KG)
001	3.600.0036		1	Yes	1		LONCIN ENGINE 4HP (VERTICAL CRANKSHAFT)
002	5.011.0166		1	Yes	1		COMPLETE HANDLE MARSHALL 2300WITH RUBBER GUIDE NOZZLE +SPRIN
003	5.099.0113		1	Yes	1		PUMP GROUP TPAV 10°30 PT'03 WITH SUCTION (SPRING 21KG)
004	5.009.0904		1	Yes	1		COMPLETE FRAME THERMIC 3.5 -BLACK- (MARSHALL 2300)
005	3.006.0159		2	Yes	1		RUBBER COATED WHEEL ANTI SKIDDING (MARSHALL 2300)
006	3.099.0051		2	Yes	12		LOCK FOR WHEEL BLOK 12
007	7.100.1939		1	Yes	1		MANUAL MARSHALL 2300 LWS
008	6.001.0089		1	Yes	1	EXT	GUN S'10Y WITH QUICK CONNECTION AND M22
009	4.018.0117		1	Yes	1		HOSE 1/4 200BAR L=8000 M22x1,5D.14-RAPID FIX
010	6.002.0322		1	Yes	1	EXT	METAL LANCE NOZZLE HOLDER QUICK COUPLING-M22
011	5.012.0281		1	Yes	1		KIT 5 NOZZLES D.1,1 FOR QUICKJOINT GR.0-15-25-40-FOAM
012	3.100.0405		1	Yes	3		TRANSPARENT QUICK COUPLING INLET CONNECTOR WITH INSPECTIONAB
013	5.012.0036		1	Yes	2		ASS.DETERGENT SUCTION FILTER HOSE MT.1+SPRING
014	5.012.0464		1	Yes	1		KIT HOOK SUPPORT GUN (MARSHALL2300)



MARSHALL 2300 (5HP) LWS - Content filters: validity 26/03/2018

R50990113 - GRUPPO POMPA TPAV 10Â°30 PT'03 C/NIET. (MOLLA 21KG)

Validity: from 28/04/2014 to 31/12/9999

Pos.	Code	Substituted by	Q.ty	Purchasable	Min. Q.ty	For mainten.	Description
0	R50090642		1	No			FLANGIA ACCOP.DIRETTO THERMIC PT'03 VERT.COMPLETA (TPAV)
0	R50090847		1	No			GRUPPO CORPO GUIDA C/V.TERM.C/ASP.OTT.+TESTATA PT'03-M.21KG
001	5.009.0642		1	Yes	1		FLANGE DIRECT COUPLING FOR THERMIC PT'03
002	3.001.0087		1	Yes	1		RADIAL BALL BEARING 6007 (35X62X14)
003	4.005.0239		1	Yes	1		WOBBLE PLATE 10GR30' C=7,7 THERMIC PT'03
004	4.007.0416		1	Yes	3	EXT	THRUST BEARING 35X58X12 PT'03(180BAR)
005	5.009.0847		1	Yes	0		BODY GUIDE + HEAD PT'03 ASSEMBLY W/THERMAL VALVE-BRASS SUCTI
006	3.106.0024		1	Yes	1		G1/8" THERMAL VALVE WITH CAP 60°C

MARSHALL 2300 (5HP) LWS - Content filters: validity 26/03/2018

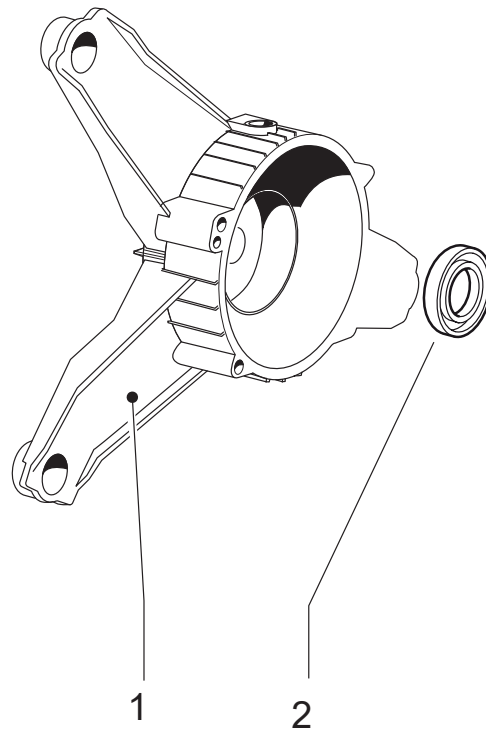


R50990113 - GRUPPO POMPA TPAV 10Â°30 PT'03 C/NIET. (MOLLA 21KG)

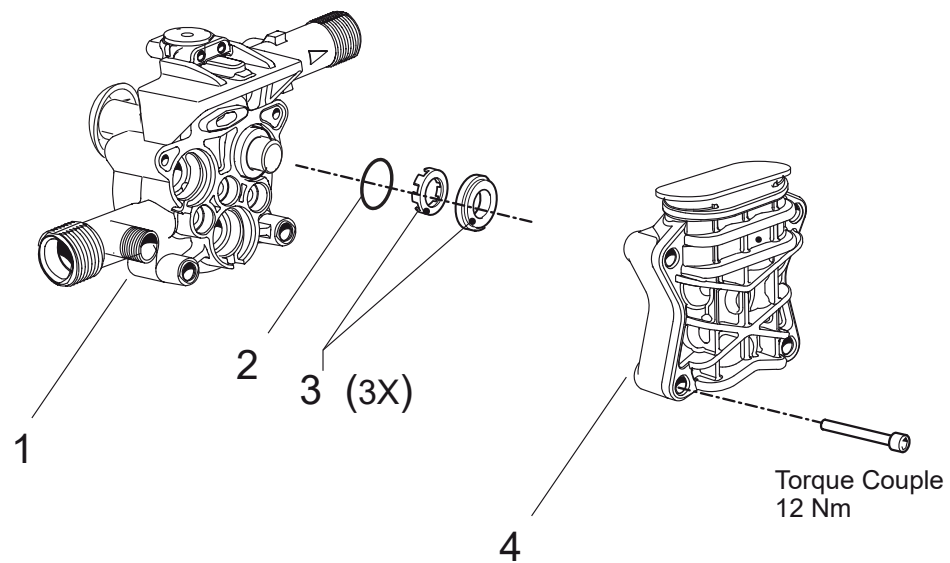
Validity: from 28/04/2014 to 31/12/9999

26/03/2018

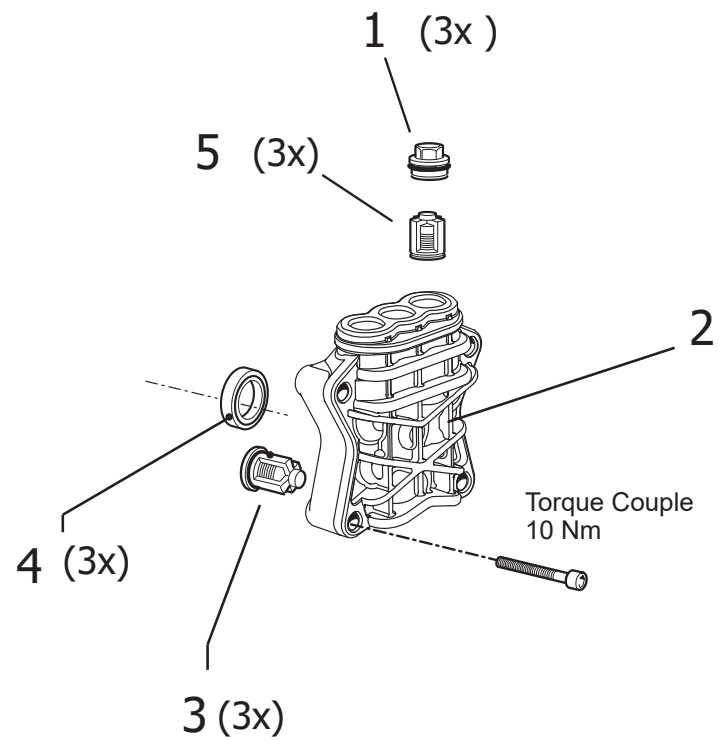
Page 7 / 13



Pos.	Code	Substituted by	Q.ty	Purchasable	Min. Q.ty	For mainten.	Description
001	4.005.0238		1	Yes	1		FLANGE FOR MOTORPUMP PT'03 VERTHIVAL THERMIC (1 BEARING)
002	3.201.0065	3.201.0026	1	Yes	5		OIL SEAL SHAFT ACM D.47X35X7 DIN -A-



Pos.	Code	Substituted by	Q.ty	Purchasable	Min. Q.ty	For mainten.	Description
0	R50080256		1	No			TESTATA PT'03 D.12 C/TAPPI FIL.(TPAV - TAPPI OTT.)
001	5.007.0243		1	Yes	1		BODY GUIDE PT'03 FOR THERMAL VALVE- BRASS SUCTION-SPRING 21k
002	3.200.0013		3	Yes	12		O-RING 11,1X1,78
003	6.005.0282		1	Yes	2		KIT 257 O-RING SEAL
004	5.008.0256		1	Yes	1		PT'03 HEAD D.12 W/THREAD CAPS(TPAV - BRASS CAPS)



Pos.	Code	Substituted by	Q.ty	Purchasable	Min. Q.ty	For mainten.	Description
001	5.009.0745		3	Yes	6		PT'03 DELIVERY VALV.CAP WITH O-RING (brass)
002	4.005.0302		1	Yes	1		PT'03 HEAD WITH THREAD FOR VALVE CAPS (TPAV)
003	5.009.X534C		3	Yes	3		SUCTION VALVE ASSEMBLY FOR '03HEAD (TPAV)
004	3.201.0068C		3	Yes	9		WATER SEAL 12X18X5 NBR SH.90(+/-5)
005	5.009.0744		3	No			VALVE PT '03 FOR THREAD CAPS