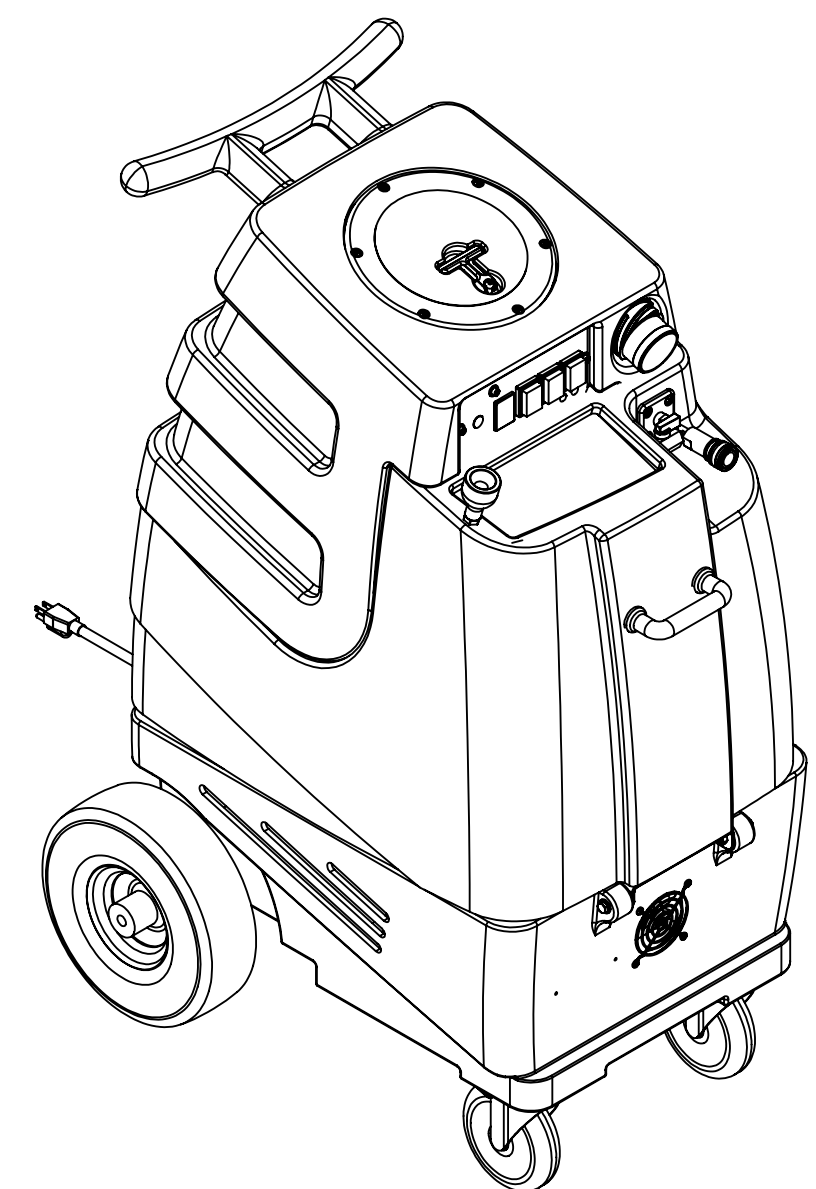


ITEM NO.	PART NO.	DESCRIPTION	QTY.
1	H304	screw, #8 x 5/8 phil oval, s/s	14
2	H296	guard, cooling fan, wire	2
3	H216	nut, lock, 1/4-20, nylon insert, s/s	10
4	H210	washer, 1/4" flat, s/s	22
5	H342	bolt, 1/4-20 x 1" hex head, s/s	8
6	H666	caster, 5", Black hub & gray tread	2
7	H371	axle, 18.03" x .50" dia	1
8	H254	washer, axle, cut 1/2" id	8
9	H109	wheel, 10", foam filled	2
10	H042	c-clip, 12mm, external	2
11	H876	washer, 1/2 flat, s/s	4
12	H221	nut, lock, 1/2" steel	1
13	H220	fitting, strain relief, cord	1
14	E550	power cord, pigtail, 30', 12/3, black	1
15	P731	base	1
16	PH615-26	sol hose, 1/2" kuri 100psi	1
17	B173	ferrule, 1/2", brass	2
18	B160	adapter, brass, 1/2" barb x 3/8" fsw, ball end	1
19	B186	elbow, brass, 90 deg, 3/8"mpt x 3/8" fmpt	1
20	AH120	sol hose, 28" x 1/4", 1/4 fpt	2
21	B652	elbow, brass, 90 deg, 3/8"mpt x 1/4"mpt	1
22	H299	washer, 11/16" id x 1-1/2" od x .075, s/s	4
23	H222	screw, 10-32 x 1-1/4" phil pan head, s/s	4
24	H273	nut, kep, #10-32 zinc	6
25	C322D	pump, 220psi, diaphragm, 115V	1
26	B172	elbow, brass, 90 deg, 1/2" barb x 3/8"mpt	1
27	H912	bracket, rear, fb/spy	1
28	H770	bolt, 1/4-20 x 1/2" serrated hex flange, zinc	8
29	H307	washer, star, 1/4" steel zinc	2
30	G052	washer, buna 1-1/8" od x 3/16" id	6
31	H211	washer, 1/4" id x 1" od, flat, s/s	6
32	H202	bolt, 1/4-20 x 3/4" hex head, s/s	6
33	H124	Cuff-Lynx, 2" mpt x 2" female cuff	2
34	H194	coupler, 2" dia x 2.5" length, s/s	2
35	H217	clamp, hose, 2-1/4 dia	4
36	PH628-24	vac hose, 2", wire reinforced	1
37	H213	washer, 1/4" lock, s/s	10
38	H215	nut, hex, 1/4-20 s/s	2
39	PH612-60	clear tubing, 1/2" OD x 3/8" ID, faucet fill	1
40	B241	adapter, brass, 3/8" barb x 1/4"mpt	1
41	H178	faucet fill	1
42	G018	cover, sol tank (sp)	1
43	P732	sol tank	1
44	H768	bolt, 1/4-20 x 3/4" serrated hex flange, zinc	2
45	B107	nipple, brass, 1/4"m, hex	2
46	H484	plate, mounting, QD	1
47	H256	screw, 10-32 x 3/4" phil pan head, zinc	4
48	B142A	coupling, brass, 1/4" fpt x 1/4" fpt	1
49	B135	tee, brass, 1/4" mpt	1
50	B102	qd, brass, 1/4" f x 1/4" fpt	1
51	B656	ball valve, 1/4"	1
52	B109	adapter, brass, 1/4" barb x 1/4" mpt	1
53	B170	ferrule, 1/4" brass	1
54	PH634-36	sol hose, 1/4", silicone braided, clear	1
55	H485	handle, aluminim grip, black	1

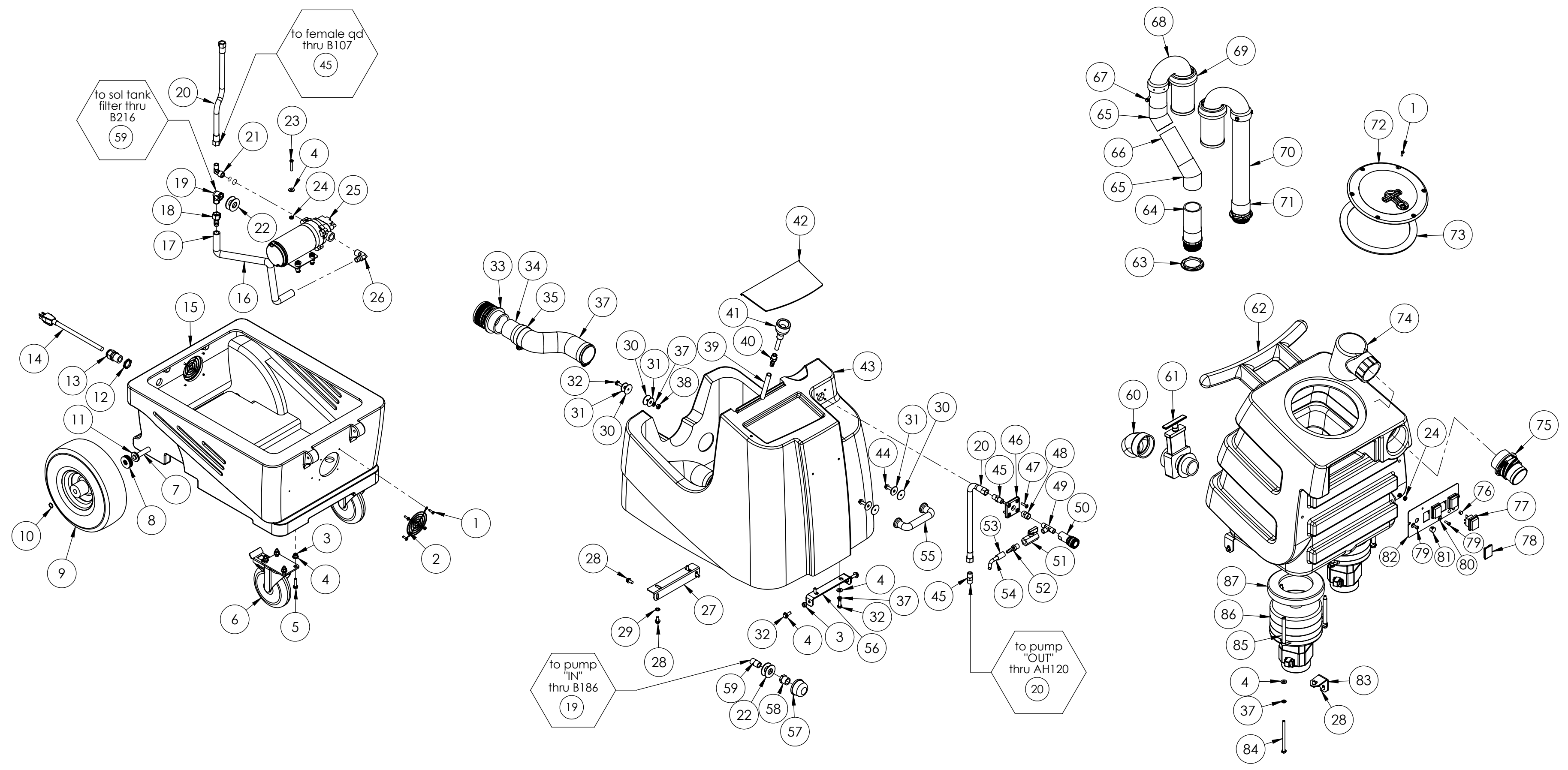
ITEM NO.	PART NO.	DESCRIPTION	QTY.
56	H378	bracket, front hinge, sp/fb	1
57	B119A	filter, strainer, 1/2"	1
58	B210	bushing, brass, 1/2"mpt x 3/8" fpt, hex	1
59	B216	nipple, brass, 3/8" x close	1
60	H226	spout, drain, 45 degree	1
61	H225	valve, drain, 1-1/2"	1
62	P733	vac tank	1
63	H314	nut, lock, 1-1/2", steel	2
64	PH633-3	pipe, pvc, 1-1/2"	2
65	P503	adapter, 1.5" pvc, 45 deg, fslip x fslip	2
66	PH633-5	pipe, pvc, 1-1/2"	1
67	H343	screw, 10 x 5/8" hex head, zinc	6
68	P755	elbow, U, 180, 1-1/2", float	2
69	H490	float, 2"/ 1.5" ball style	2
70	PH633-12	pipe, pvc, 1-1/2"	1
71	P520	adapter, pvc, 1-1/2" mpt x 1-1/2" fms	2
72	G090	lid, vac tank, clear, 7"	1
73	G091	gasket, 7", vac lid	1
74	A926	elbow, inlet assembly 2"	1
75	H135	Cuff-Lynx, 2" m cuff x 2" mpt	1
76	H422	plug, dome 3/8", black	2
77	E515	switch, rocker, 2 position	3
78	P967A	plug, switch	1
79	H389	screw, 10-32 x 1/2" SHCS, alloy	3
80	H612	Washer, #8, flat regular	3
81	H434	plug, vent, heyco, 1/2"	1
82	H348	plate, switch, 1000DX-200	1
83	H390A	bracket, "L"	2
84	H096	bolt, hex, 1/4-20 x 4", zinc Finish	6
85	H503	vac support, 3 stage, 3.25", no thrds	6
86	C302LA	vac motor, 3 stage, low amp	2
87	G004	gasket, vacuum motor	2

ITEMS NOT SHOWN

PART NO.	DESCRIPTION	QTY
E366	harness, electrical	1
G008	piglet filter	1
H375	hanger, wire formed, hose	1
H230	screw, 10-32 x 1/2" phil pan head, s/s	2
H141	Cuff-Lynx, 2" x 1.5" reducer	1
H110	Cuff-Lynx, 2" hose x 2" fem swivel Cuff-Lynx	1
E530	power cord, ext 50', 12/3 black	1
P568A	cord lock, s-type	1



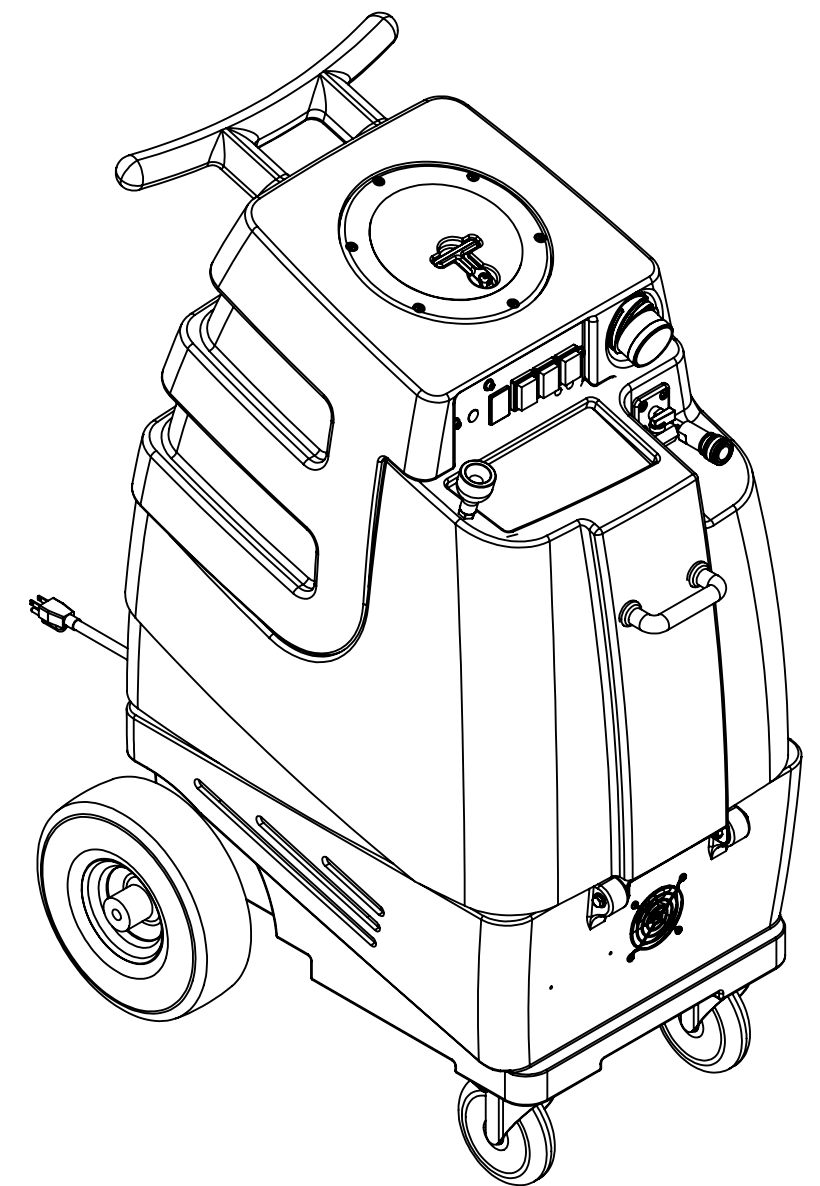
NAME	DATE	MYTEE PRODUCTS, INC. 858-679-1191
DRAWN M. LaBarbera	10/2013	
CHECKED		TITLE:
COMMENTS:		speedster
<small>PROPRIETARY AND CONFIDENTIAL THE INFORMATION CONTAINED IN THIS DRAWING IS THE SOLE PROPERTY OF MYTEE PRODUCTS, INC. ANY REPRODUCTION IN PART OR AS A WHOLE WITHOUT THE WRITTEN PERMISSION OF MYTEE PRODUCTS, INC. IS PROHIBITED.</small>		SIZE DWG. NO. REV C 1000DX-200 H
SCALE: 1:48	DO NOT SCALE DRAWING	SHEET 1 OF 3



	NAME	DATE	MYTEE PRODUCTS, INC. 858-679-1191	
DRAWN	M.LaBarbera	10/2013	TITLE: speedster	
CHECKED			REV C 1000DX-200 H	
COMMENTS:			SCALE: 1:48	DO NOT SCALE DRAWING SHEET 2 OF 3
<small> PROPRIETARY AND CONFIDENTIAL THE INFORMATION CONTAINED IN THIS DRAWING IS THE SOLE PROPERTY OF MYTEE PRODUCTS, INC. ANY REPRODUCTION IN PART OR AS A WHOLE WITHOUT THE WRITTEN PERMISSION OF MYTEE PRODUCTS, INC. IS PROHIBITED. </small>				

REVISIONS

REV.	DESCRIPTION	DATE	APPROVED
OD	ORIGINAL DRAFT	-	JFL
A	REPLACED G003 W G022	8/2013	JFL
B	H033 REPLACED W H342, ADDED H210 & H216	10/8/2013	JFL
C	G021 REPLACED w G097	10/22/2013	JFL
D	ADDED H434 & H765	6/16/2014	ML
E	REPLACED H347 WITH B173; ADDED B170, PH612	7/15/2014	ML
F	REPLACED H219 W H042	8/8/2014	ML
G	ADDED B241	4/15/2015	ML
H	REMOVED ELECTRONIC FLOAT	3/8/2016	ML



	NAME	DATE	MYTEE PRODUCTS, INC. <small>858-679-1191</small>		
DRAWN	M. LaBarbera	10/2013			
CHECKED			TITLE:		
COMMENTS:			speedster		
PROPRIETARY AND CONFIDENTIAL <small>THE INFORMATION CONTAINED IN THIS DRAWING IS THE SOLE PROPERTY OF MYTEE PRODUCTS, INC. ANY REPRODUCTION IN PART OR AS A WHOLE WITHOUT THE WRITTEN PERMISSION OF MYTEE PRODUCTS, INC. IS PROHIBITED.</small>			SIZE	DWG. NO.	REV
			C	1000DX-200	H
			SCALE: 1:48	DO NOT SCALE DRAWING	SHEET 3 OF 3